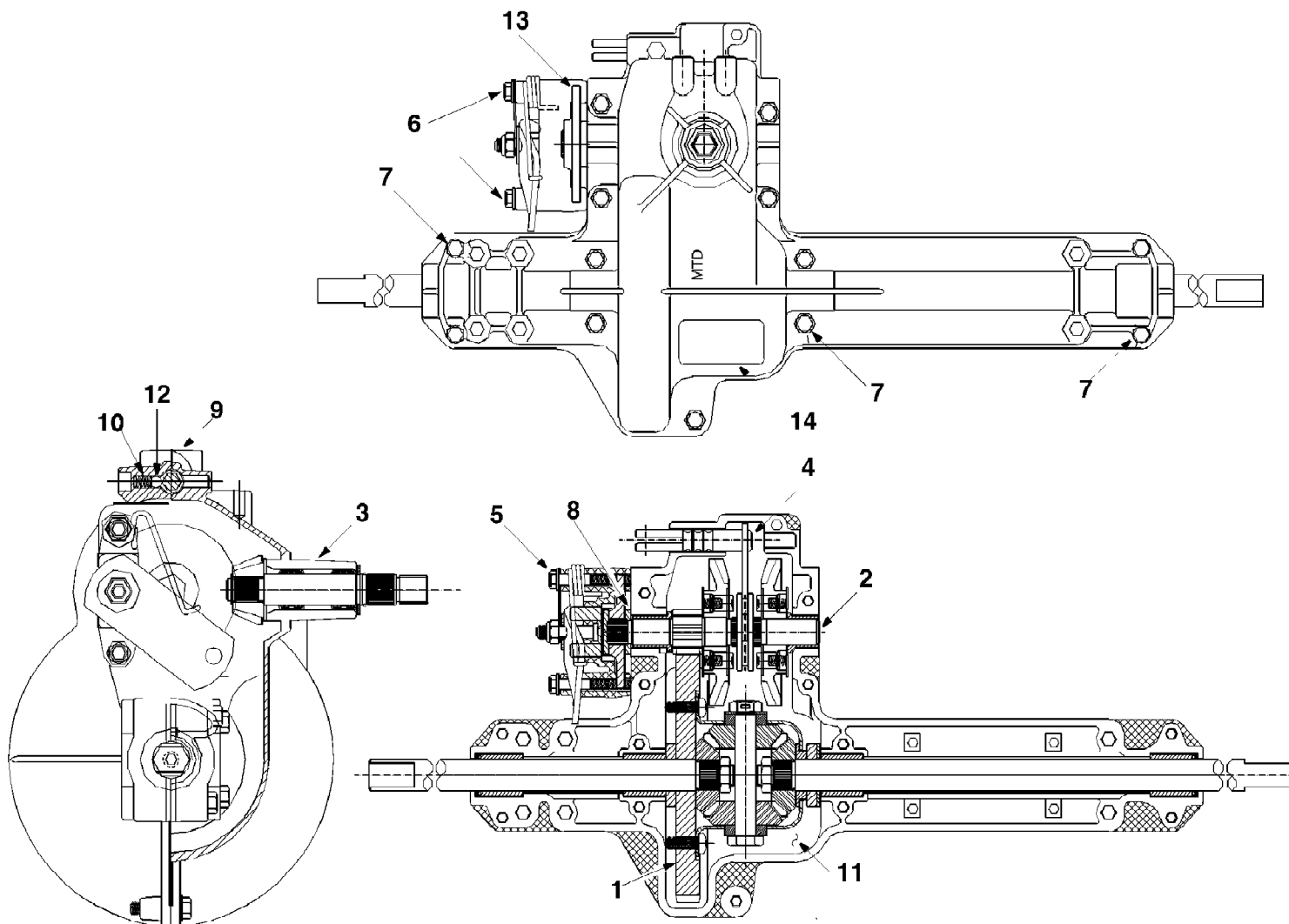


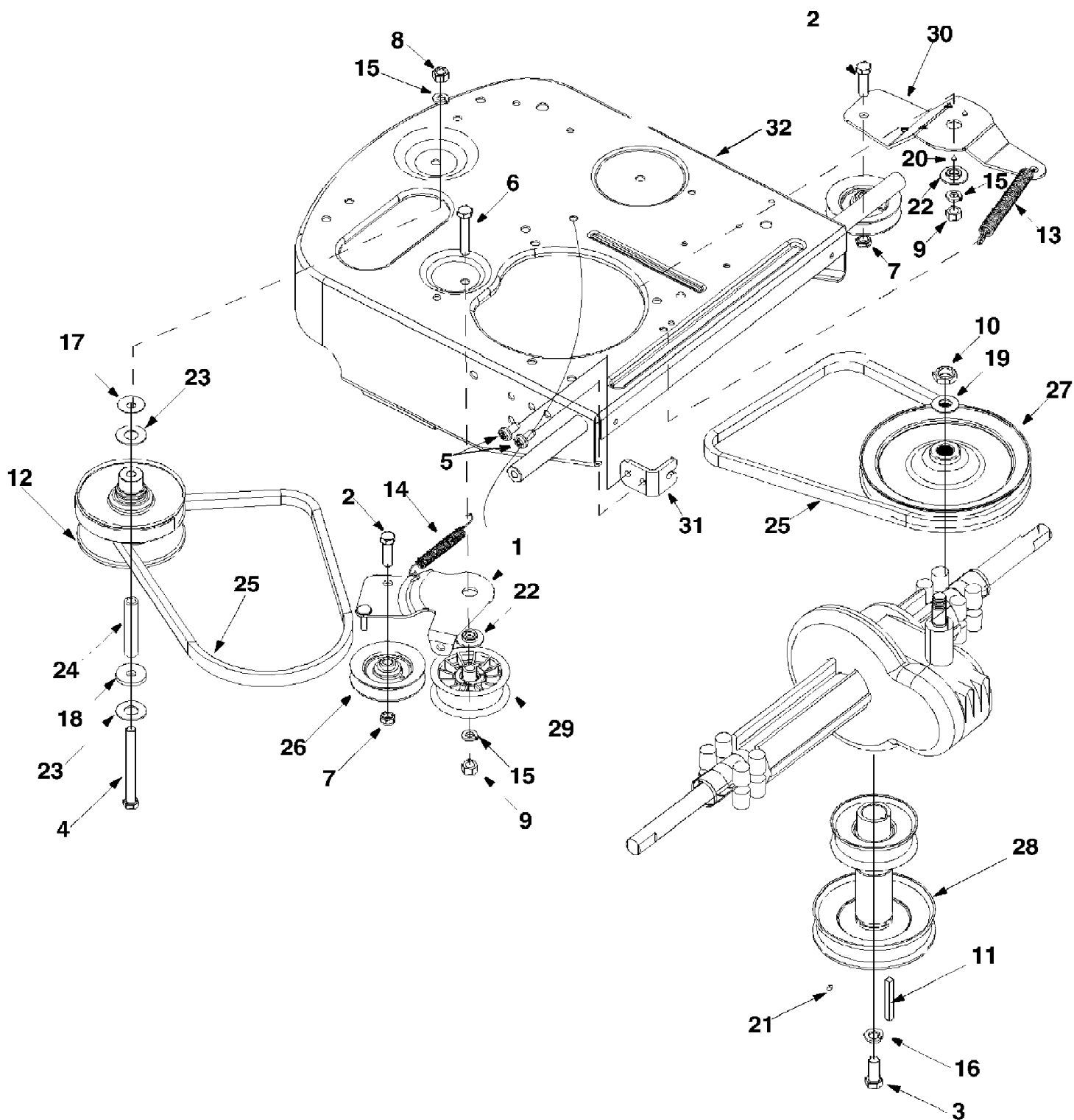
Ref #	Part Number	Qty	S/P/F	Description
1	618-0250	1	S	Spindle Assembly
2	683-0150C-650	1		Deck Assembly: Red metallic
3	683-0159	1	S	Brake Bracket Assembly
4	683-0173	1		Deck Belt Cover
5	710-0134	1	/P	Carriage Screw 1/4-20 x .62
6	710-0191	1	/P	Hex Bolt 3/8-24 x 1.25 Grade 8
7	710-0347	1	/P	Hex Screw 3/8-16 x 1.75 Gr. 5
8	710-0599	1	/P	Self-Tapp. Screw 1/4-20 x .5
9	710-0650	1	/P	Self-Tapp. Screw 5/16-18 x .75
10	710-0672	1	/P	Hex Cap Scr. 5/16-24 x 1.25
11	710-0932	1	/P	Carriage Screw
12	710-1611	1	S	Torx Screw 5/16-18 x .75
13	712-0241	1	/P	Hex Nut 3/8-24
14	712-0397	1	S	Wing Nut With Bell Washer
15	712-0417A	1	/P	Flange Nut 5/8-18
16	712-3017	1	S	Hex Nut 3/8-16
17	712-3057	1	S	Hex Nut 5/16-24
18	714-0115	1	S	Cotter Pin
19	726-0201	1		Speed Nut
20	726-0233	1	/P	Push Nut
21	732-0429A	1	S	Extension Spring
22	736-0101	1	S	Flat Washer 3/8 x 1.00 x .030
23	736-0119	1	S	Lock Washer 5/16
24	736-0169	1	S	Lock Washer 3/8
25	736-0289	1	S	Bushing
26	736-0300	1	S	Flat Washer .406 x .875 x .059
27	736-0343	1	/P	Flat Washer .330 x 1.25 x .120
28	736-3020	1	S	Flat Washer
29	738-0968	1	S	Spacer
30	742-0651	1	S	Three-in-one Blade
31	747-0957	1		Link Rod
32	747-0972	1		Belt Keeper
33	747-1172	1	S	Belt Keeper
34	754-0754	1	S	V Belt
35	756-0627	1	S	Flat Idler Pulley
36	783-0463	1	S	Idler Bracket
37	783-0529	1	S	Cable Bracket
38	783-0569A	1	S	Deck Plate
39	783-0781	1	S	Deck Skirt
?40	783-0594	1	S	Deck Cable Bracket



13A-328-190 LR-927 (2000)
Differential Assembly

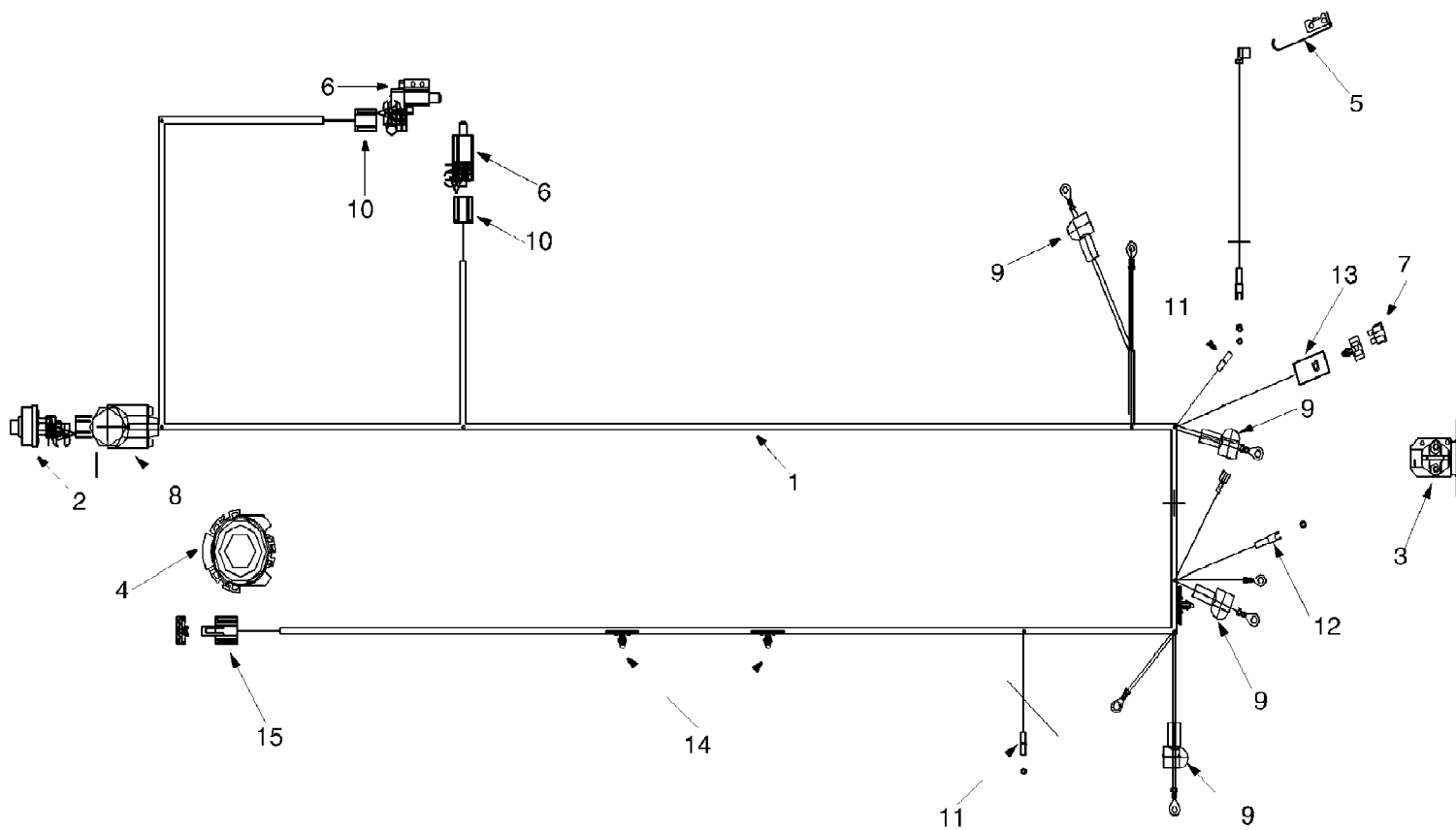
Page 4 of 32

Ref #	Part Number	Qty	S/P/F	Description
1	618-0232	1	S	Differential Assembly: Single Speed
2	618-0248	1	S	Drive Shaft assembly: LH Brake
3	618-0072B	1	S	Upper Housing Assembly
4	611-0114	1		Detent Shaft Assembly
5	661-0006	1	S	Brake Yoke Assembly: LH
6	710-1206	1	/P	Hex Washer Hd. TT Screw 1/4-20 x 2.37 Gr.5
7	710-1325	1	/P	Hex Washer Hd. TT Screw 1/4-20 x 1.65
8	717-0678	1	S	Brake Puck
9	719-0313B	1	/P	Lower Housing
10	732-0863	1	S	Spring Detent
11	737-0148	1	S	Grease
12	741-0862	1	/P	Ball Detent
13	761-0202	1		Brake Disc
14	777-6318	1		Label



Ref #	Part Number	Qty	S/P/F	Description
1	683-0147	1	S	Idler Bracket Assembly
2	710-0191	1	/P	Hex Screw 3/8-24 x 1.25
3	710-0314	1	/P	Hex Screw 7/16-20 x 1.0"
4	710-0902	1		Cap Screw 3/8-24 x 3.75
5	710-1611	1	S	Pan Head TL Screw 5/16-18 x .75
6	710-3096	1	/P	Hex Screw 3/8-16 x 2.0 Special
7	712-0116	1	S	Jam Lock Nut 3/8-24
8	712-0241	1	/P	Hex Nut 3/8-24
9	712-3017	1	S	Hex Nut 3/8-16
10	712-3035	1	/P	Hex Jam Nut 9/16-18 (Gr. 5)
11	714-0114	1	S	Square Key
12	717-0884	1		Variable Speed Pulley Assembly
13	732-0814	1		Extension Spring
14	732-0815	1		Extension Spring
15	736-0169	1	S	Lock Washer
16	736-0171	1	S	Lock Washer 7/16 I.D.
17	736-0219	1	S	Bell Washer .406 I.D. x 1.13 O.D.
18	736-0247	1	/P	Flat Washer 3/8 x 1.25 O.D.
19	736-0427	1	S	Belleville Washer
20	737-0167	1		Grease
21	737-0288	1		Grease
22	738-0968	1	S	Shoulder Spacer
23	741-0405	1	S	Bearing
24	750-0705	1		Spacer
25	754-0453	1	S	V-Belt
26	756-0116	1	S	Idler Pulley
27	756-0650	1		Transmission Pulley
28	756-0658	1	S	Engine Pulley
29	756-0981	1	S	Flat Idler Pulley
30	783-0528	1		Idler Bracket
31	783-0529	1	S	Cable Bracket
32	683-0149B-0650	1		Frame: Lower, Red metallic

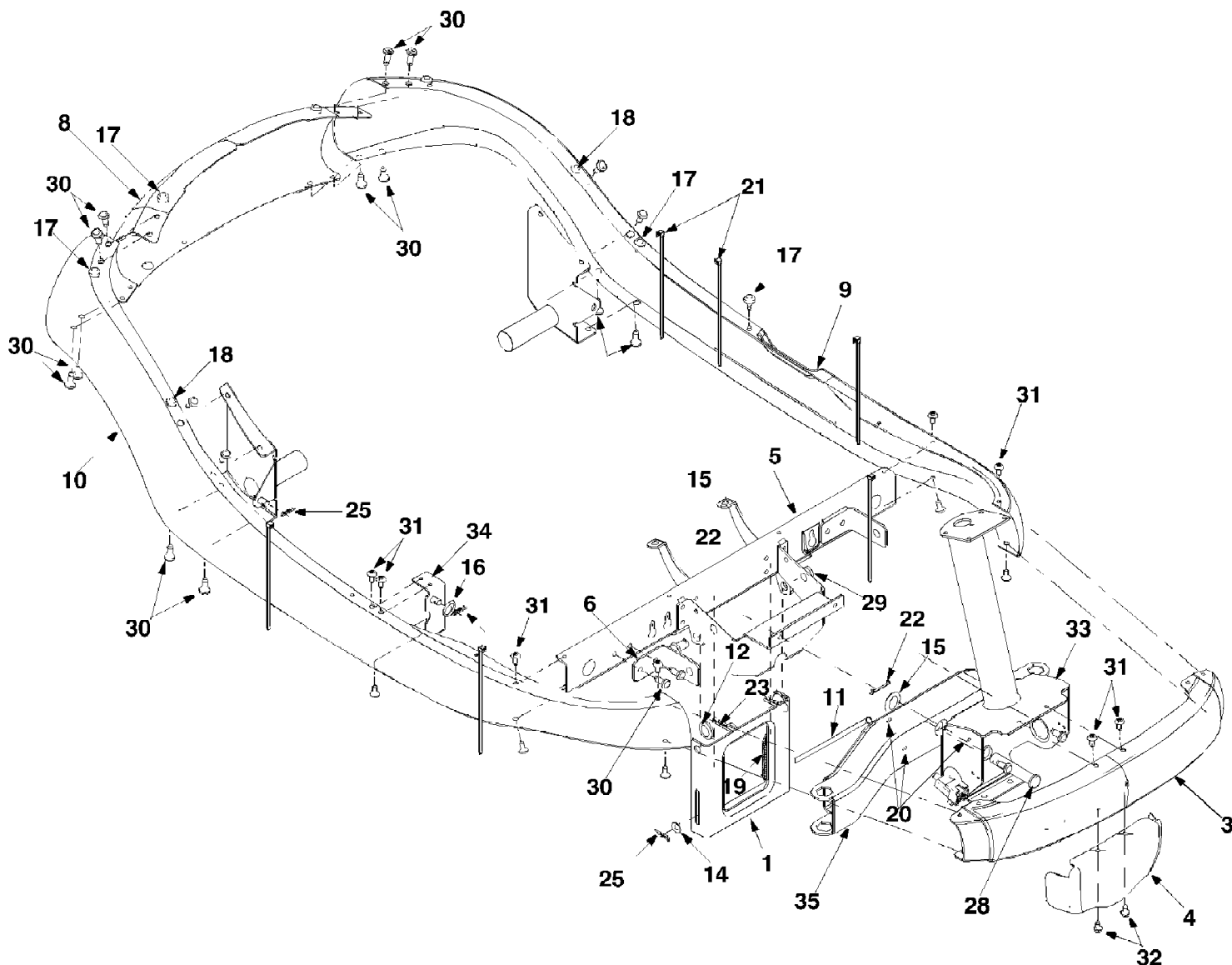
13A-328-190 LR-927 (2000)
Electrical



13A-328-190 LR-927 (2000)
Electrical

Page 8 of 32

Ref #	Part Number	Qty	S/P/F	Description
1	629-0945	1	S	Harness Assembly w/o Relays
2	725-0267	1	S	Ignition Switch: 5 Pin
3	725-1341B	1	/P	Ignition Key (Not shown)
4	725-1426	1	S	Solenoid: 12 V. 100 amp.
5	725-1462	1		Seat Switch
6	725-1643	1		Spring Switch
7	725-1657A	1	S	Interlock Switch
8	725-1381	1	S	Fuse: 20 amp.
9	725-1726	1		Battery Cover
10	725-3237	1		Battery Cover: Red
11	729-0125	1		Connector
12	729-0139	1		Connector
13	729-0171	1		Connector
14	729-0357	1		Fuse Holder w/Clip
15	729-0359	1		Harness Clip
?16	729-1108	1		Connector

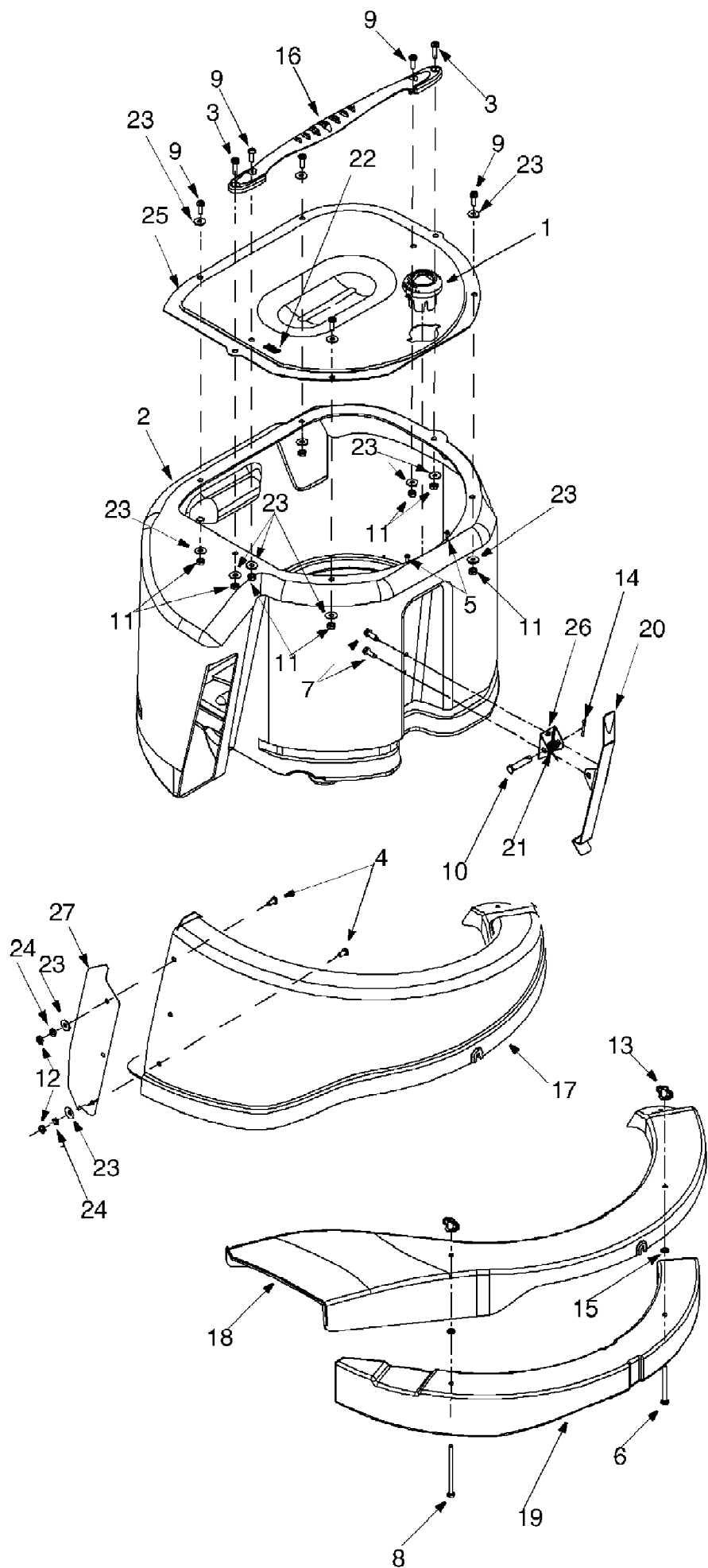


13A-328-190 LR-927 (2000)
Frame Assembly

Page 10 of 32

Ref #	Part Number	Qty	S/P/F	Description
1	783-0605	1	S	Deck Stabilizing Bracket
3	783-0564A	1		Front Frame: Upper
4	783-0811	1	S	Steering Gear Cover
5	683-0264	1	S	Front Channel Assembly
6	783-0554	1		Cam Bracket
8	783-0414A	1	/P	Frame Rail: Rear
9	783-0413	1		Frame Rail-L.H.
10	783-0412A	1	S	Frame Rail-R.H.
11	747-0985	1		Deck Rod
12	736-3019	1		Flat Washer .531 X 1.062 X .134
14	736-0275	1	S	Flat Washer 5/16
15	736-0187	1	/P	Flat Washer .64 I.D. X 1.24 X .06
16	736-0101	1	S	Flat Washer 3/8 X 1.00 X .030
17	735-0271	1	S	Rubber Bumper
18	735-0199A	1	S	Rubber Bumper
19	732-0829	1	S	Extension Spring
20	737-3007	1		Grease
21	725-0157	1	/P	Cable Tie
22	714-0470	1	S	Hairpin Clip
23	714-0147	1		Hairpin Clip
25	714-0104	1	S	Hairpin Clip
28	711-1165	1		Clevis Pin
29	711-0332	1	S	Lift Bracket Pin
30	710-1611	1	S	TT Screw 5/16-18 x .75
31	710-1017	1	/P	Torx Mach. AB Scr. 1/4-14 x 0.625"
32	710-0599	1	/P	Hex TT Screw 1/4-20
33	683-0163A	1	S	Steering Support Bracket
34	683-0160	1		Pivot Bracket Ass'y.: Hood
35	683-0142	1		Pivot Bar Assembly

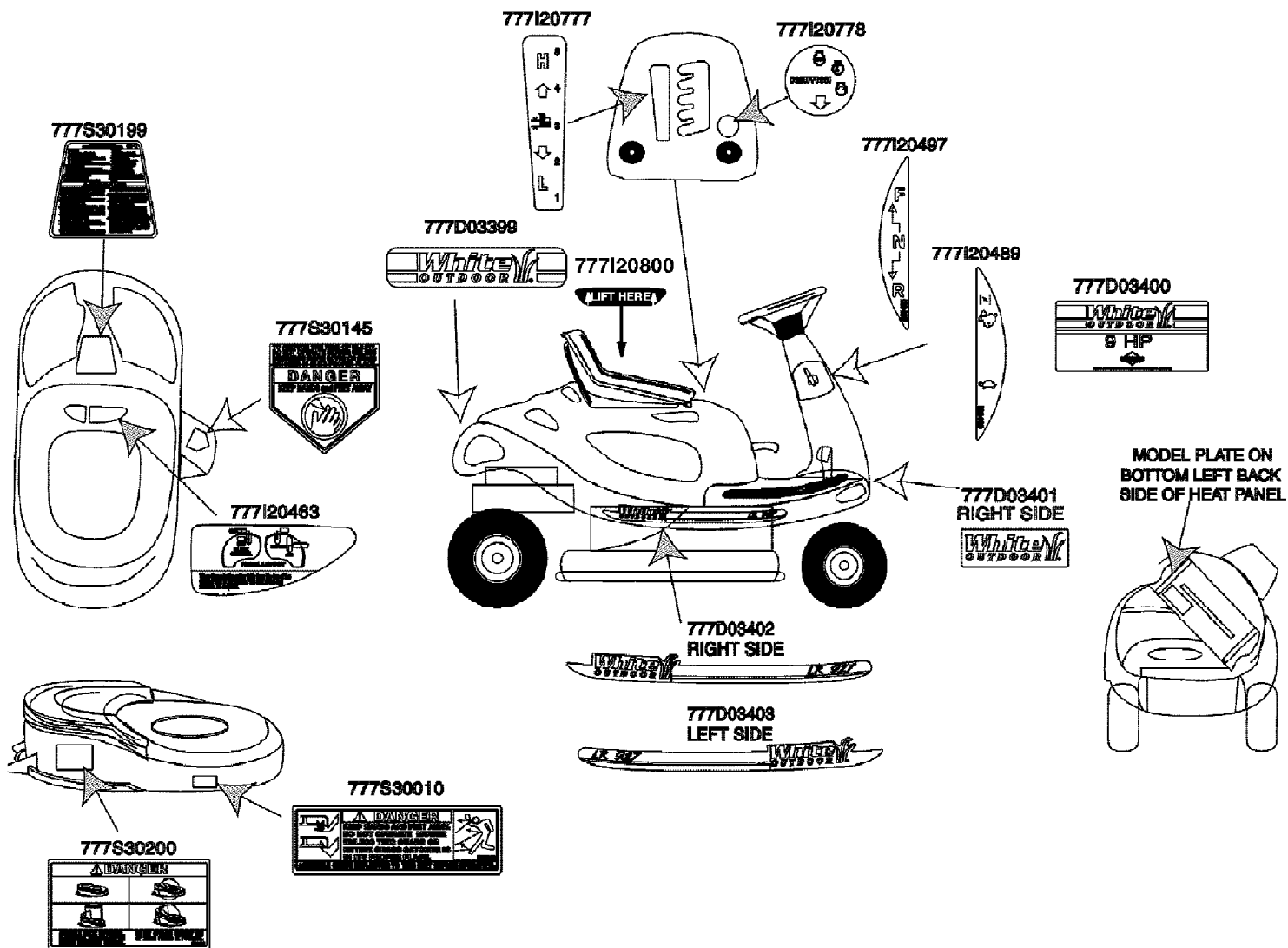
Ref #	Part Number	Qty	S/P/F	Description
1	683-0149B	1	/P	Frame Assembly
2	683-0190A	1	S	Frame Rail Support: RH
3	683-0191A	1	S	Frame Rail Support: LH
4	683-0192	1		Muffler Pipe Extension
5	710-0148	1	/P	Hex Fl. Screw #8-32 x 0.375
6	710-0157	1	/P	Hex Screw 5/16-24 x .75" Gr.5
7	710-0599	1	/P	Self-Tapping Screw
8	710-0624	1	/P	Hex Screw 5/16-24 x 1.5" Gr.5
9	710-0654A	1	/P	TT Screw 3/8-16 x 1.0"
10	710-0871	1		Hex Slot Sems Screw #10-32 x 0.38
11	710-1237	1		Hex Washer TT Screw #10-32 x.625"
12	710-1611	1	S	TT Screw 5/16-18 x 0.75"
?13	710-1653	1		Machine Screw #10-32 x 0.5"
14	711-0222A	1	S	Battery Hold-Down Rod
15	712-0271	1	/P	Hex Sems Nut 1/4-20
	731-0708	1		Battery Cover
16	712-0291	1	S	Lock Nut 1/4-20
17	712-0397	1	S	Wing Nut with Bell Washer
18	712-3017	1	S	Hex Nut
19	712-3057	1	S	Hex Nut 5/16-24 Gr.5
20	725-0157	1	/P	Cable Tie
21	726-0205	1	/P	Hose Clamp
22	726-0209	1	/P	Cable Tie
24	731-1682A	1	/P	Oil Drain Sleeve
25	731-1945	1		Engine Duct
26	732-3080	1	S	Compression Spring
27	735-0273	1		Rubber Washer
28	736-0119	1	S	Lock Washer
29	736-0123	1	S	Flat Washer
30	736-0159	1	S	5/16 Washer
31	736-0169	1	S	Lock Washer
32	736-0188	1	/P	Flat Washer
33	736-0400	1	S	Flat Washer
34	736-0607	1	/P	Lock Washer
35	737-0169	1		Motor Oil
36	738-0960	1		Shoulder Screw
37	741-0516	1	S	Flange Bearing
38	741-0591	1	S	Flange Bearing
39	751B213146	1	/P	Throttle Casing Clamp
40	751-0535	1		Fuel Line Hose
41	751-0656	1		Fuel Tank
	751-3124B	1	S	Fuel Cap
42	783-0624	1	S	Battery Bracket
43	783-0630	1		Fuel Tank Bracket
44	783-0809B	1	S	Transaxle Support Bracket
45	783-0561	1	S	Hitch Plate
46	710-3008	1	/P	Hex Bolt: 5/16-18 x .75"
47	712-0267	1	S	Hex Nut



13A-328-190 LR-927 (2000)
Grass Bag Assembly

Page 14 of 32

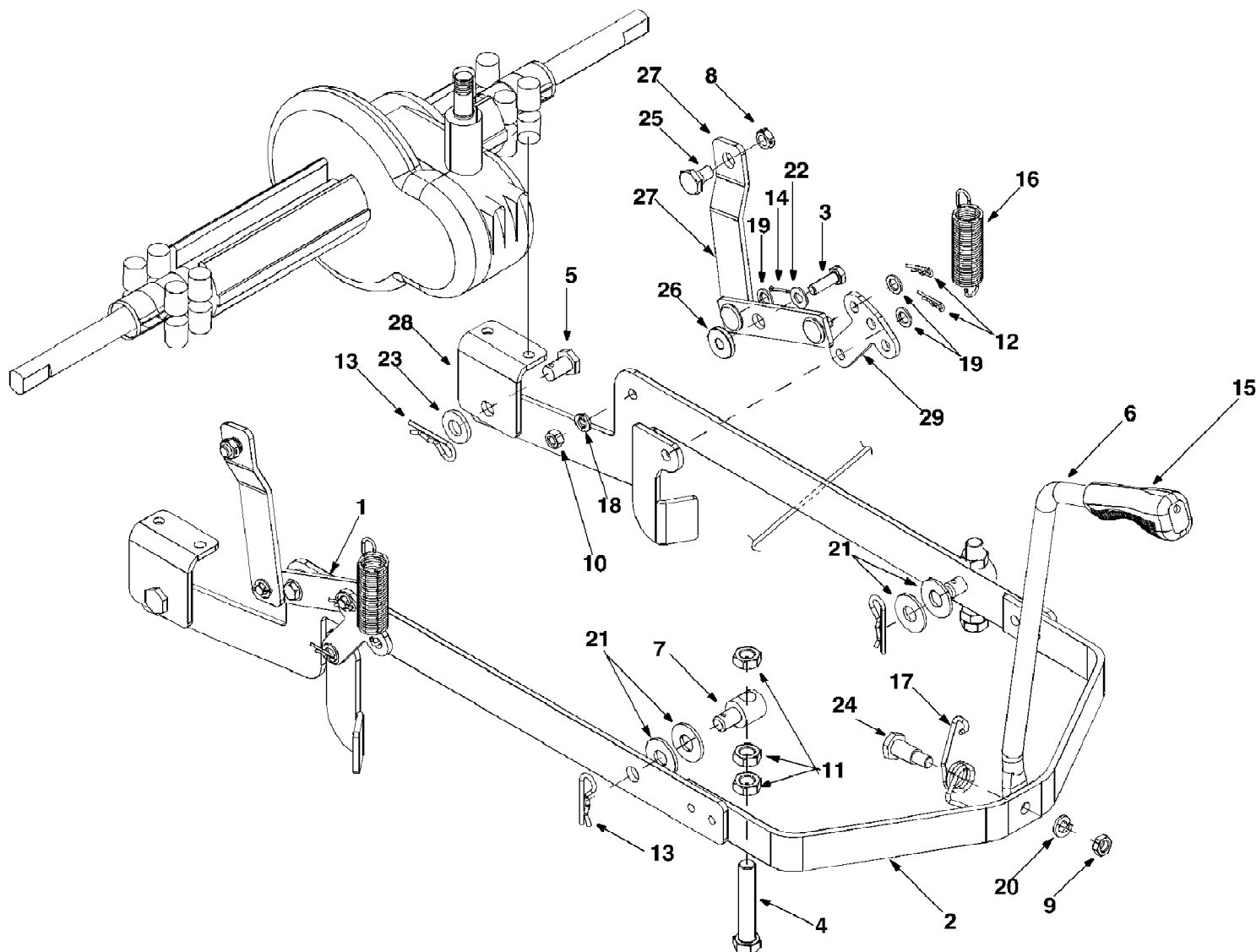
Ref #	Part Number	Qty	S/P/F	Description
1	631-0060	1	S	Flow Indicator Assembly
2	631-0080	1	S	Grass Bag Assembly
3	710-0166	1	S	Machine Screw 1/4-20 x 1.0
4	710-0286	1	/P	Machine Screw 1/4-20 x 0.5"
5	710-0456	1		Hex Screw #10-16 x 0.5"
6	710-0564	1	/P	Hex Screw 1/4-20 x 2.75"
7	710-0642	1	/P	Self-Tapping Screw 1/4-20 x 0.75"
8	710-0825	1	/P	Hex Screw 1/4-20 x 3.75"
9	710-0924	1	/P	Machine Screw 1/4-20 x 0.75"
10	711-0415	1	S	Clevis Pin
11	712-0271	1	/P	Hex Sems Nut 1/4-20
12	712-0298	1	S	Jam Nut
13	712-0397	1	S	Wing Nut
14	714-0115	1	S	Cotter Pin
15	726-0271	1	S	Speed Nut
16	731-1441	1		Bag Handle
17	731-1743A	1	/P	Discharge Chute: Grass Bag
18	731-1744	1		Side-Discharge Chute
19	731-1745A	1	/P	Mulching Plug
20	732-0839	1	S	Bag Release Lever
21	732-0841	1	S	Torsion Spring
22	732-0854	1		Clip Spring
23	736-0173	1	/P	Flat Washer
24	736-0329	1	S	Lock Washer
25	783-0544A	1	S	Grass Bag Screen
26	783-0575A	1	S	Pivot Bracket
27	783-0645	1	S	Deflector Plate



13A-328-190 LR-927 (2000)
Labels

Page 16 of 32

Ref #	Part Number	Qty	S/P/F	Description
777S30199	777S30199	1		Label
777I20777	777I20777	1		Label
777D03399	777D03399	1		Label
777S30145	777S30145	1	S	Label
777I20463	777I20463	1		Label
777S30200	777S30200	1		Label
777S30010	777S30010	1	S	Label
777D03403	777D03403	1		Label
777D03402	777D03402	1		Label
777D03401	777D03401	1		Label
777D03400	777D03400	1		Label
777I20489	777I20489	1	/P	Label
777I20497	777I20497	1		Label
777I20778	777I20778	1		Label
777I20800	777I20800	1		Label

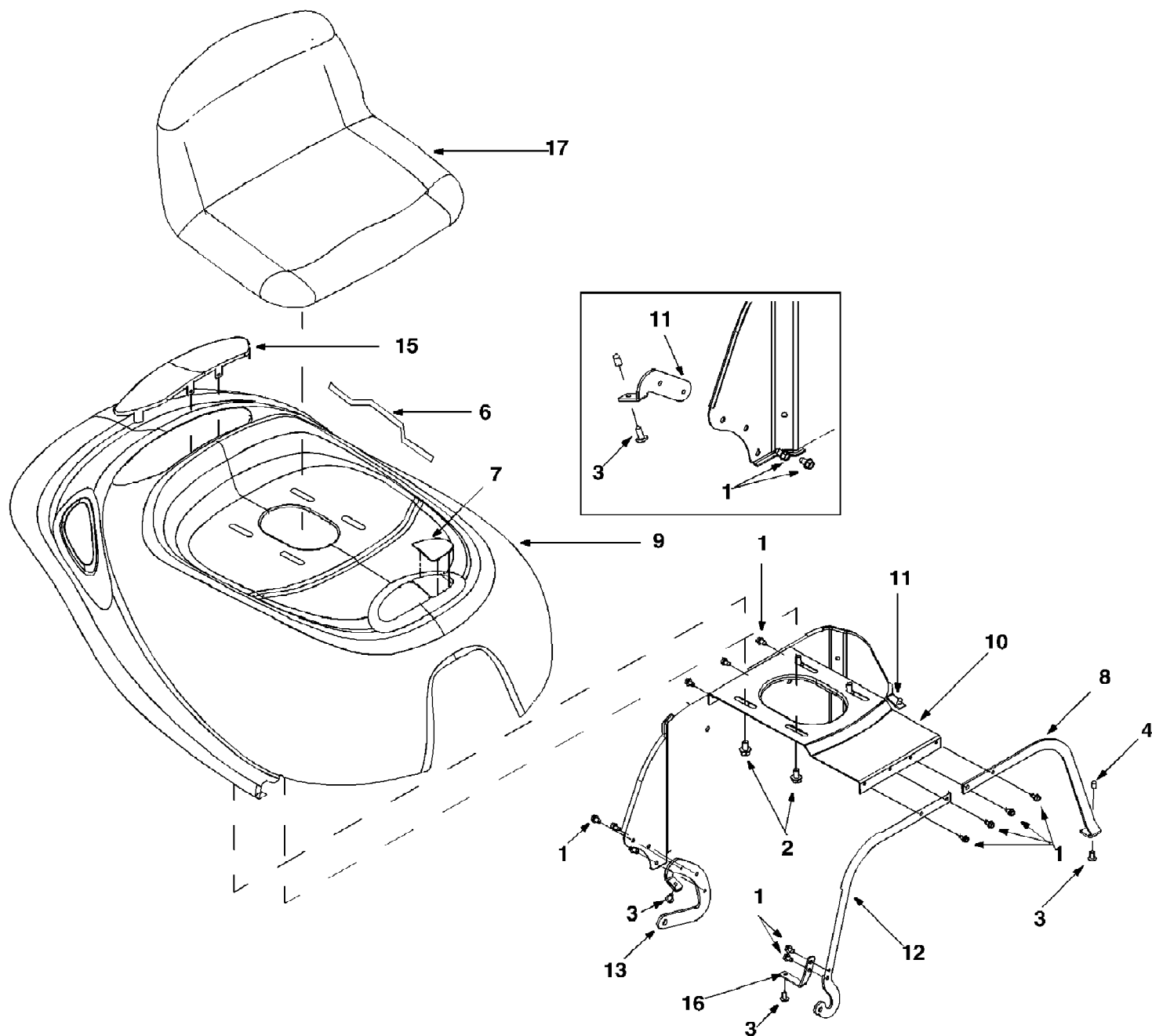


13A-328-190 LR-927 (2000)
Lift Assembly

Page 18 of 32

Ref #	Part Number	Qty	S/P/F	Description
1	683-0152	1		Pivot Link Assembly
2	683-0194	1	S	Lift Arm Assembly
3	710-0376	1	/P	Hex Screw 5/16-18 X 1.00
4	710-3230	1		Hex Bolt 1/2-13 X 2.75 Special
5	711-0332	1	S	Lift Bracket Pin
6	711-1120	1		Lift Rod
7	711-3319	1	S	Ferrule
8	712-0266	1	S	Jam Nut
9	712-3008	1	S	Jam Nut 3/8-16 Gr. 5
10	712-3010	1	S	Hex Nut 5/16-18
11	712-3048	1	S	Jam Nut
12	714-0104	1	S	Cotter Pin
13	714-0147	1		Cotter Pin
14	714-3010	1	/P	Cotter Pin
15	720-0298	1		Handle Grip
16	732-0829	1	S	Extension Spring
17	732-0837	1		Torsion Spring
18	736-0119	1	S	Lock Washer 5/16
19	736-0140	1	S	Flat Washer .385 x .620
20	736-0169	1	S	Lock Washer
21	736-0257	1	S	Flat Washer
22	736-0275	1	S	Flat Washer 5/16
23	736-3019	1		Flat Washer
24	738-0145	1	S	Shoulder Screw
25	738-0183	1	S	Shoulder Screw
26	738-0958	1	S	Shoulder Spacer
27	783-0435	1		Upper Deck Link
28	783-0437	1		Axle Bracket: Rear
29	783-0440	1	S	Lower Link

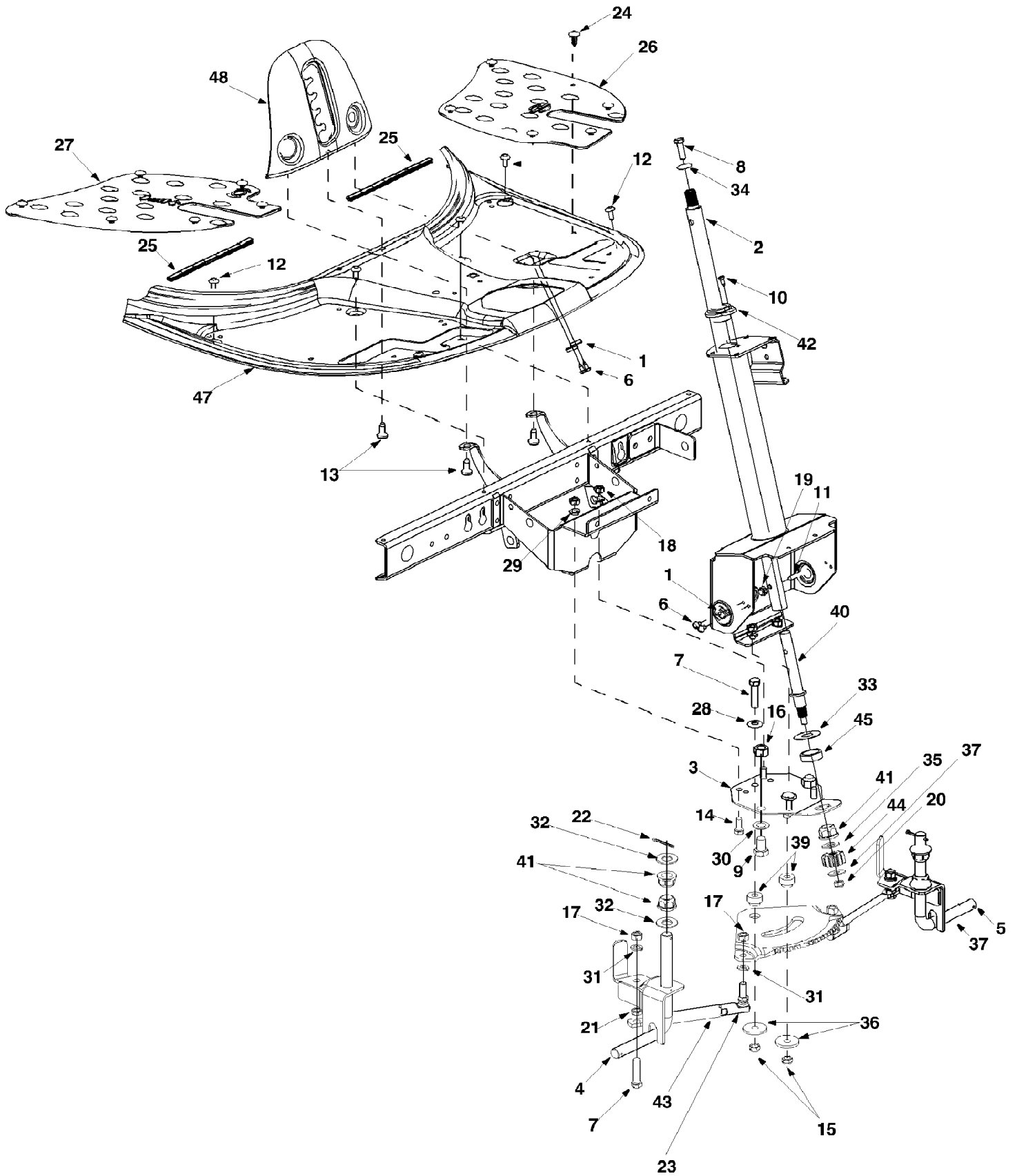
Ref #	Part Number	Qty	S/P/F	Description
1	683-0155	1	S	Brake Pedal Assembly
2	683-0156	1		Variable Pedal Assembly
3	683-0275	1	/P	Deck Pedal Assembly
4	683-0161	1	S	Shift Cam Assembly
6	710-1017	1	/P	Ab Screw 1/4-14 X .625
7	711-0701	1	S	Clevis Pin
8	711-1156	1		Shaft
9	712-0287	1	S	Hex Nut 1/4-20
10	712-0324	1	/P	Lock Nut 1/4-20
11	712-3017	1	S	Hex Nut 3/8-16
12	714-0104	1	S	Internal Cotter Pin
13	714-0111	1	S	Hairpin Clip
14	714-0470	1	S	Hairpin Clip
15	720-0166	1	/P	Ball Knob
16	731-0405	1		Snap-on Bushing
17	731-1913	1		Stop Lever
19	732-0865	1		Torsion Spring
?20	732-0815	1		Extension Spring
21	735-0262	1		Deck Pad
22	735-0261	1		Drive Pad
23	735-0263	1		Brake Pad
24	736-0117	1	S	Flat Washer 3/8 X .620 X .033
25	736-0159	1	S	5/16 Washer
26	736-0169	1	S	Lock Washer
27	736-0187	1	/P	Flat Washer
28	736-0272	1	S	Flat Washer .510 X 1.00 X .060
29	736-0133	1	S	Flat Washer .406 x 1.25 x .10
?30	736-0329	1	S	Lock Washer
31	736-0608	1	S	Spring Washer
32	736-3000	1		Flat Washer
?33	736-3019	1		Flat Washer .531 X 1.062 X .134
34	736-3020	1	S	Flat Washer .271 X .630 X .065
35	738-0255	1	S	Shoulder Screw 375 Dia X .18
36	738-0373	1	S	Shoulder Screw
37	738-0974	1	S	Shoulder Screw .375 X .380 X 1/4-20
38	741-0591	1	S	Flange Bearing
39	746-0935A	1	S	Shift Cable
40	746-0936	1	S	Variable Drive Cable
41	746-0937	1	S	Brake Cable
42	746-0940	1	S	Deck Cable
43	746-0964	1	S	Throttle Choke Cable: 67"
44	747-0963	1		Brake Rod
45	747-0964	1		Brake Lock Out Rod
46	750-0736	1	S	Shoulder Spacer
47	783-0473	1	S	Brake Lock Out Bracket
48	783-0525	1	S	Self-Propelled Pedal Link
49	726-0450	1		Plug Cap
50	783-0593A	1		Shift Lever
51	783-0794	1	S	Bracket Lock-out Pedal
52	725-0157	1	/P	Cable Tie
53	736-0300	1	S	Flat Washer.406 I.D. x 875 O.D.
54	726-0100	1	S	Push Cap
?55	736-0262	1	/P	Flat Washer



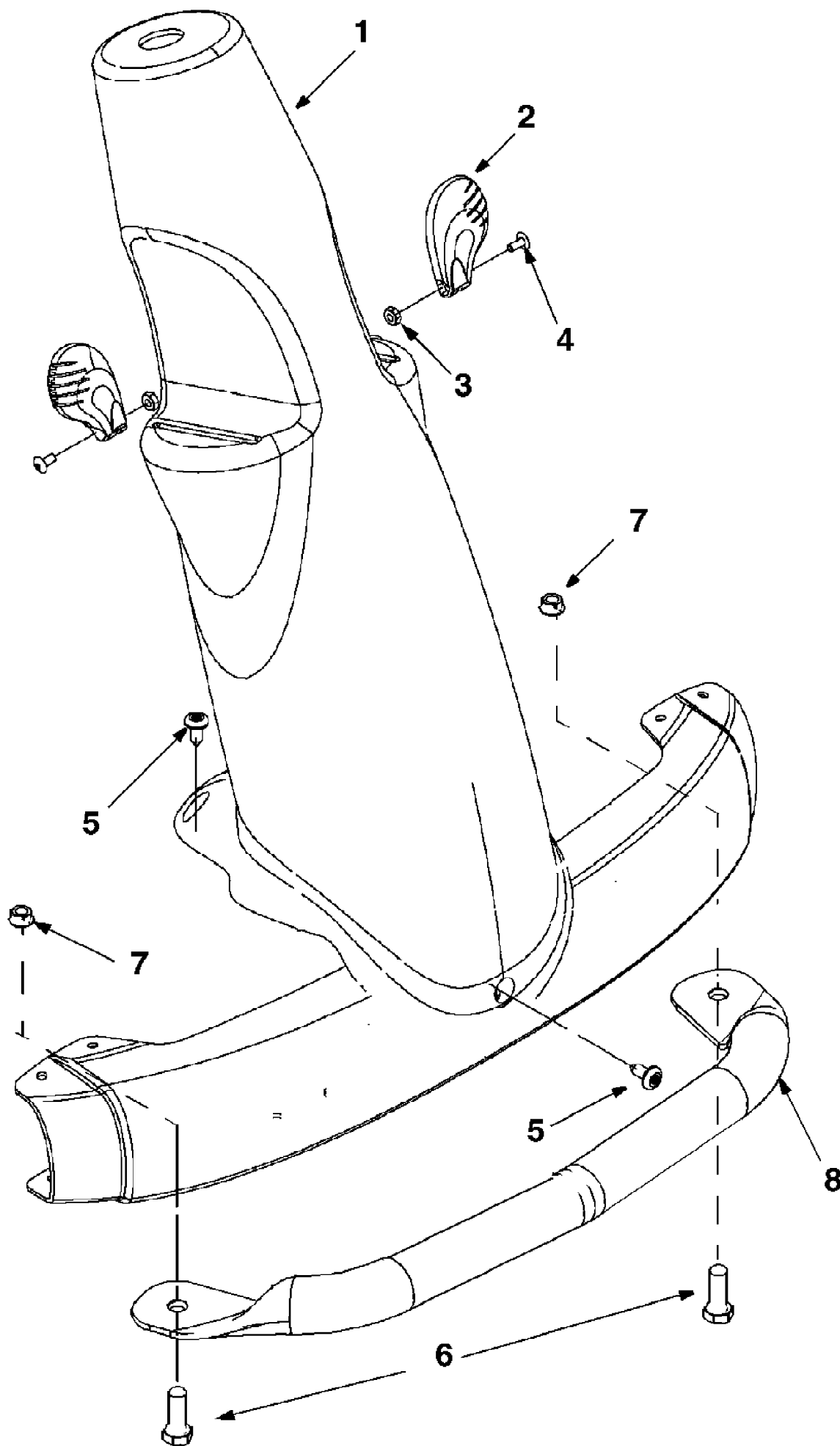
13A-328-190 LR-927 (2000)
Seat & Hood Assembly

Page 22 of 32

Ref #	Part Number	Qty	S/P/F	Description
1	710-0599	1	/P	TT Screw 1/4-20 x 0.5
2	710-0870	1	/P	TT Screw 3/8-16 x 0.62
3	710-1017	1	/P	Torx AB Screw 1/4-14 x 0.625
4	720-0238	1		Rod End Grip
?5	731-0511	1	/P	Trim Strip
6	731-1691	1	S	Grass Bag Lens
7	783-0410	1	S	Bracket Reinforcement: Hood
8	783-0445-0662	1		Hood: Oyster Grey
9	783-0446	1	S	Plate: Hood
10	783-0447	1		Hood Bracket
11	783-0448	1	S	Hood Bracket: Reinforcement
12	783-0449	1	S	Hinge Bracket: Rear
13	783-0451A	1	S	Pivot Plate: Rear Hood
?14	783-0545	1		Hood Screen
15	783-0562	1	S	Hinge Bracket: Front
16	757-0381	1	S	Seat
17		1		UNKNOWN



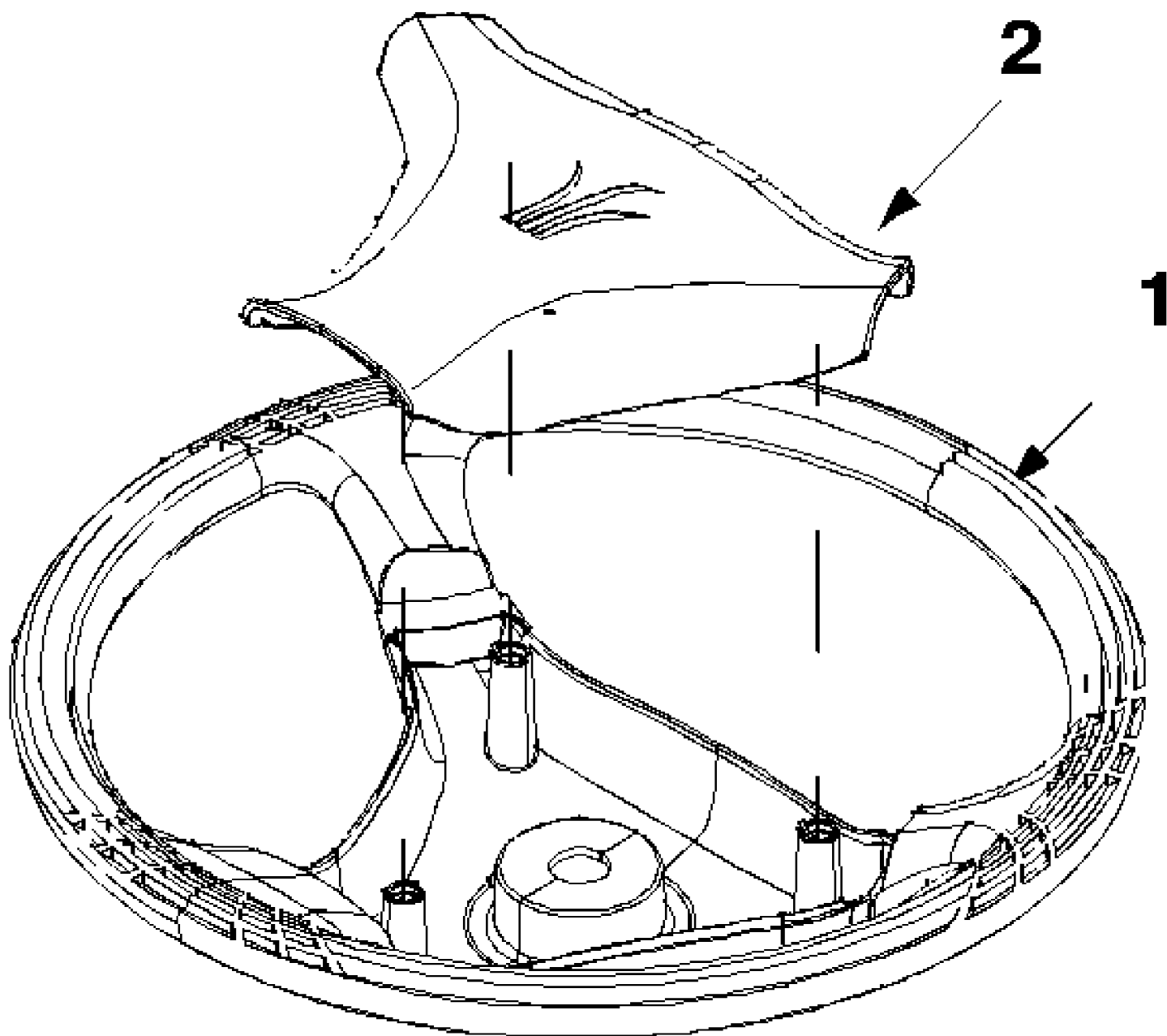
Ref #	Part Number	Qty	S/P/F	Description
1	17962	1		Switch Plate
2	650-0007	1	S	Steering Tube Assembly
3	683-0033A	1		Steering Support Bracket
4	683-0178A	1	/P	Front Axle Assembly: RH
5	683-0179A	1	S	Front Axle Assembly: LH
6	710-0224	1	S	Hex Screw AB
7	710-0459A	1	/P	Hex Screw 3/8-24 x 1.5" Gr.5 Sp.
8	710-0643	1	/P	Lock Screw 5/16-18 x 1.0" Gr.5
9	710-0689	1	/P	Hex Screw 1/2-13 x 0.75"
10	710-0837	1		Oval C-Sunk Screw #10-16 x 0.625"
11	710-0958	1	/P	Hex Screw 1/4-20 x 1.25 Gr.5 Sp.
12	710-1017	1	/P	AB Screw 1/4-14 x 0.625"
13	710-1611	1	S	Self-Tapping Screw 5/16-18 x 0.75"
14	710-3008	1	/P	Hex Screw 5/16-18 x 0.75"
15	712-0116	1	S	Lock Nut 3/8-24
16	712-0206	1	S	Hex Nut 1/2-13
17	712-0241	1	/P	Hex Nut
18	712-0267	1	S	Hex Nut
19	712-0324	1	/P	Lock Nut 1/4-20
20	712-0411	1	S	Lock Nut
21	712-0711	1	/P	Jam Nut
22	714-0470	1	S	Cotter Pin
23	723-0156	1	S	Ball Joint
24	726-3046	1	/P	Ratchet Clip
25	731-0511	1	/P	Trim Strip
26	735-0265A	1		Floor Pad: LH
27	735-0266A	1	/P	Floor Pad: RH
28	736-0105	1	/P	Bell Washer
29	736-0119	1	S	Lock Washer
30	736-0160	1	S	Flat Washer
31	736-0169	1	S	Lock Washer
32	736-0187	1	/P	Flat Washer
33	736-0196	1		Flat Washer
34	736-0242	1	/P	Belleville Washer
35	736-0272	1	S	Flat Washer
36	736-0320	1	/P	Flat Washer
37	736-3078	1	/P	Flat Washer
?38	737-3007	1		Grease
39	738-0541	1	S	Spacer
40	738-3089A	1	/P	Steering Adapter
41	741-0225	1	S	Hex Flange Bearing
42	741-0356	1		Bearing: Steering Column
43	747-0955	1		Tie Rod
44	748-0290	1	S	Pinion Gear
45	750-0532	1	S	Spacer
?46	783-0411	1		Gear: Steering Segment
47	783-0565B	1	S	Upper Frame Cover
48	783-0566A	1	/P	Lift Plate



13A-328-190 LR-927 (2000)
Steering Column & Bumper

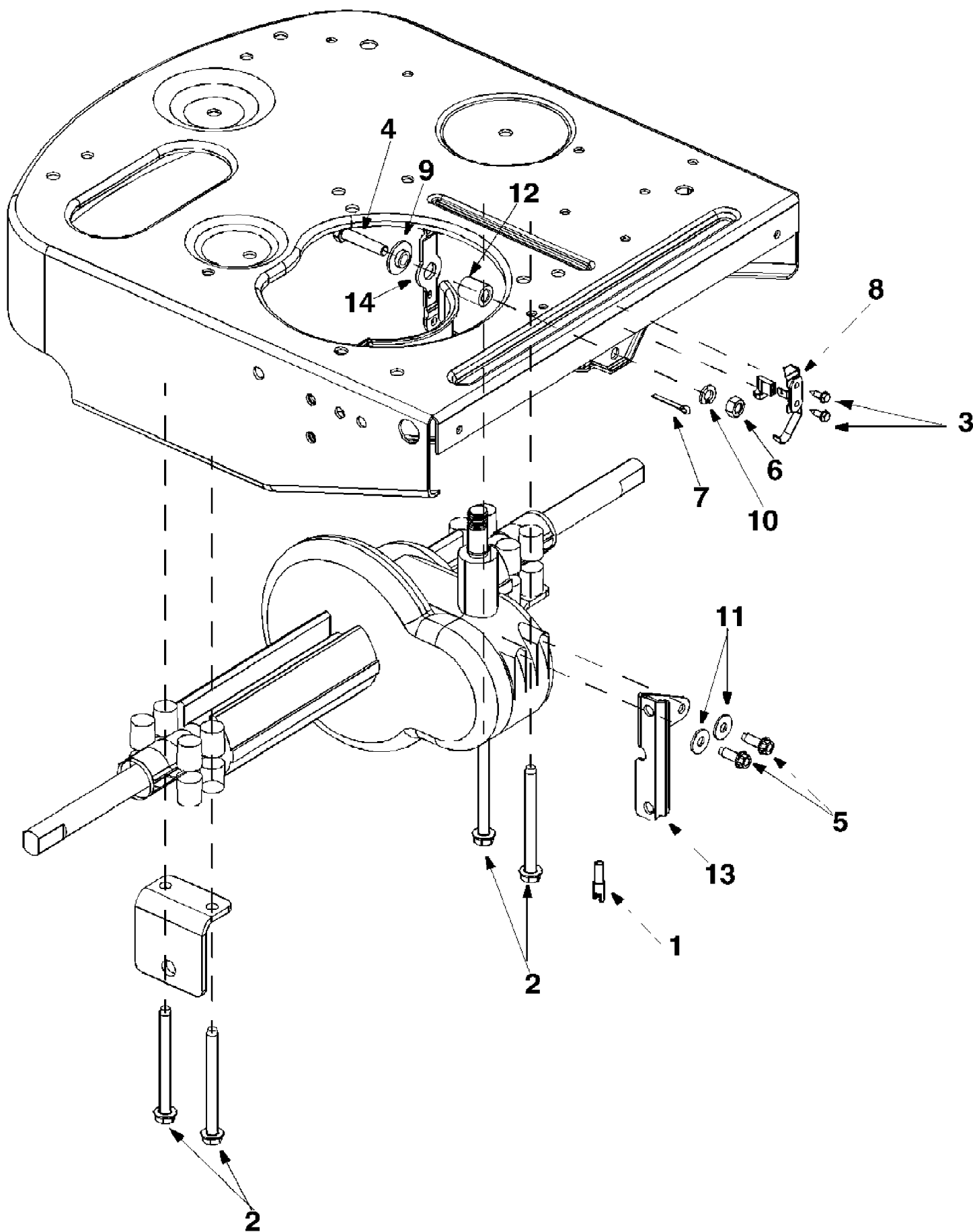
Page 26 of 32

Ref #	Part Number	Qty	S/P/F	Description
1	731-1919	1		Steering Column: Black
2	731-1857	1		Control Knob
3	712-0142	1	/P	Hex Nut 8-32
4	710-3217	1	/P	Pan Head Machine Screw #8-32
5	710-0599	1	/P	Hex Screw TT 1/4-20 x .50"
6	710-0514	1	/P	Hex Screw 3/8-16 x 1.0"
7	712-0431	1	S	Lock Nut
8	749-1099	1		Bumper Tube: Front



13A-328-190 LR-927 (2000)
Steering Wheel

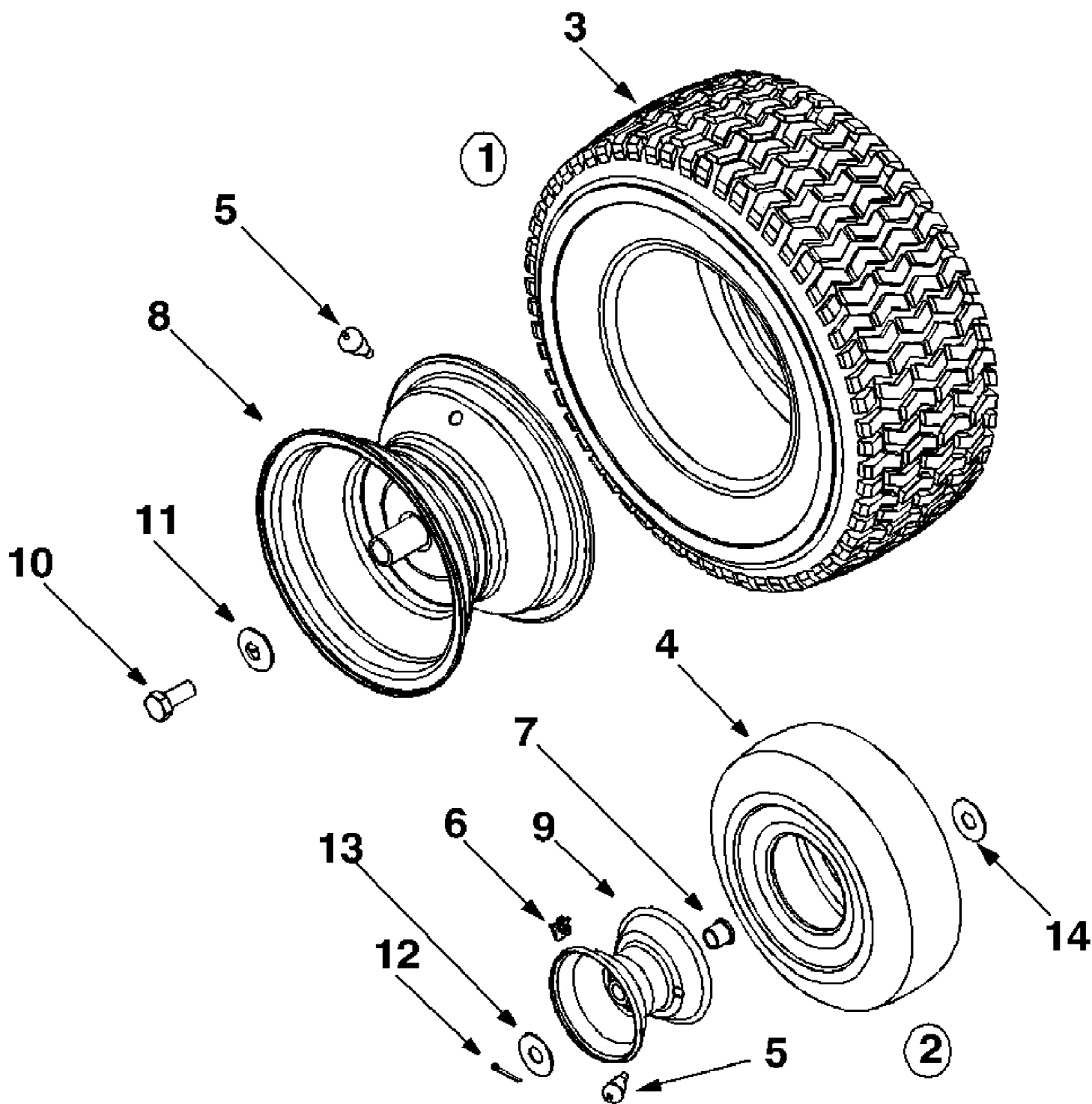
Ref #	Part Number	Qty	S/P/F	Description
1	731-2295	1	S	Steering Wheel
2	731-2296	1		Steering Wheel Insert



13A-328-190 LR-927 (2000)
Transaxle Brackets

Page 30 of 32

Ref #	Part Number	Qty	S/P/F	Description
1	629-0865	1		Harness Assembly Adapter
2	710-1208	1	/P	Hex TT Screw 5/16-18 x 3.50
3	710-0227	1	/P	Hex Washer Head Self-Tap. Screw
4	710-0805	1	/P	Hex Screw 5/16-18 x 1.5 Gr. 5
5	710-0642	1	/P	Thd. Forming Scr. 1/4-20x .75
6	712-3010	1	S	Hex Nut 5/16-18
7	714-0115	1	S	Cotter Pin
8	726-0320	1	S	Insulator Nut Plate
9	736-0289	1	S	Shoulder Bushing
10	736-0119	1	S	Lock Washer 5/16
11	736-0173	1	/P	Flat Washer .28 I.D. x .74 O.D. x .083
12	750-1064	1	S	Spacer
13	783-0591	1	S	Transaxle Bracket
14	783-0433A	1	/P	Shift Lever



13A-328-190 LR-927 (2000)
Wheels

Page 32 of 32

Ref #	Part Number	Qty	S/P/F	Description
1	634-0139	1		Rear Wheel Compl.
2	634-0169	1	S	Front Wheel Compl.
3	734-1727	1	/P	Rear Tire
4	734-1382	1	S	Front Tire
5	734-0255	1	S	Valve: Tubeless Air
6	737-0211A	1	/P	Grease Fitting
7	741-0353	1	S	Flange Bearing
8	634-0138	1	/P	Rim Assembly
9	734-1455A	1		Rim Assembly
10	710-0627	1	/P	Hex Bolt 5/16-24 x .75"
11	736-0242	1	/P	Beleville Washer
12	714-0115	1	S	Cotter Pin
13	736-0285	1	/P	Flat Washer
14	736-0366	1	/P	Flat Washer
?15	731-0484A	1	S	Hub Cap (Not shown)